

## SPECIFICATIONS - VACLESS PRODUCTS

### Type:

Safety Vacuum Release System (SVRS) for pool, spa, hot tub and fountain pumps 0.5 HP to 10.0 HP.

Tested and certified per ASME A112.19.17 (includes NSF-50 certified materials); Virginia Graeme Baker Act (VGB) compliant and CPSC (Consumer Product Safety Commission) approved & listed.

### Test Laboratory:

IAPMO (International Association for Plumbing and Mechanical Officials)

### Models:

Breather I, Breather II and Breather III

Breather I: Non-electrical, Automatically resettable upon release of entrapment

Breather II: Non-electrical, Manually resettable upon release of entrapment

Breather III: Electro-Mechanical, automatically or manually resettable

### Material:

Housings: Polypropylene 20% Glass filled

Piston: Nylon 6

All metal parts: Stainless Steel

O-Rings: Nitrile (Buna-N)

### Operating range (Vacuum):

5 In Hg to 23 In Hg

### Operating Voltage (Breather III only):

Low voltage output at 5VDC to 10VDC

Supply voltage: 110 VAC/ 220 VAC / Grounded Box

### Operating Temperature:

-40 deg. F to +140 deg. F

### Envelope (Average):

2 1/2" Diameter X 3" Long

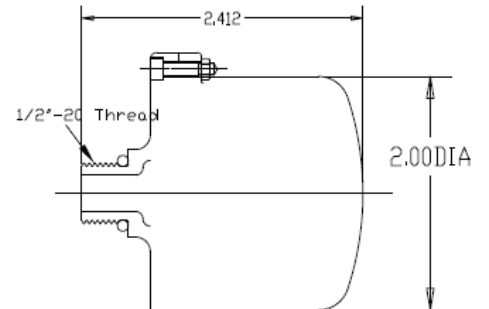
### Mounting:

Installed in place of the pool pump drain plug that has 1/2-20 thread.

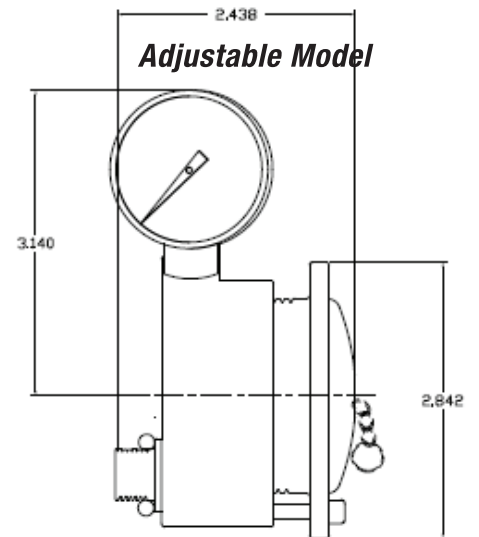
### Operation/Installation:

See user's manuals posted online at [www.vacless.com](http://www.vacless.com).

### Standard Model



### Adjustable Model



### Electro-Mechanical Model

